
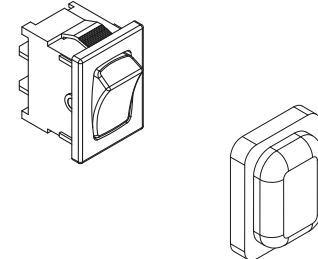
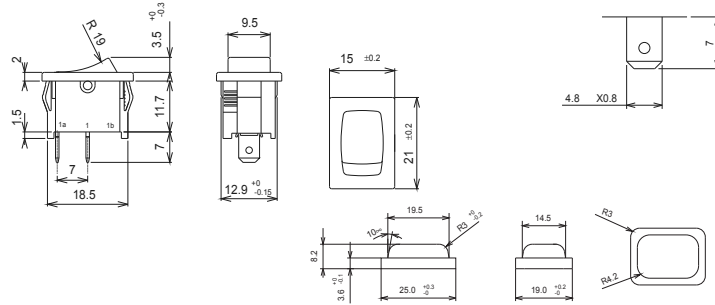

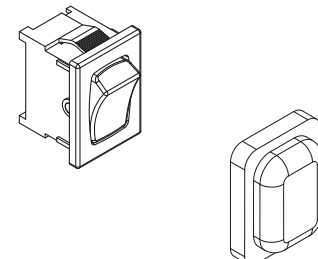
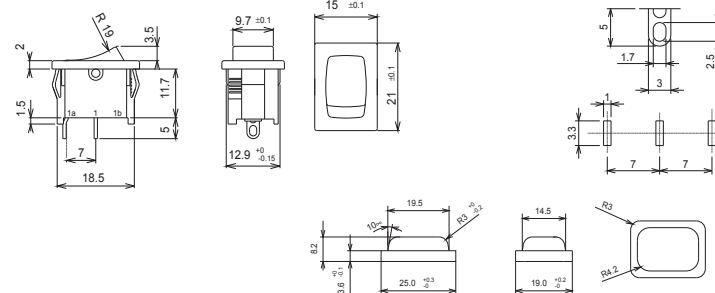

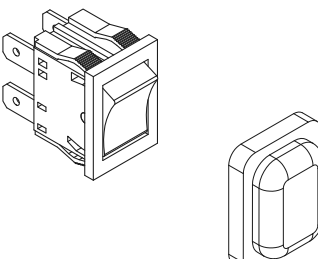
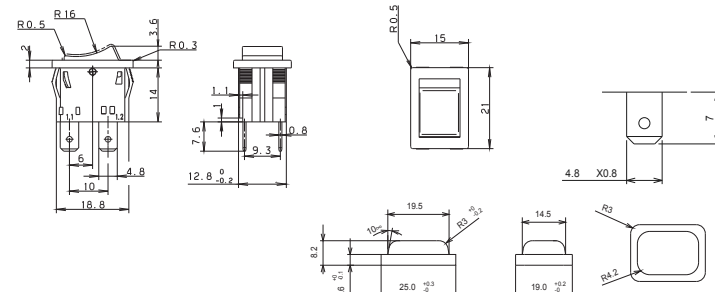

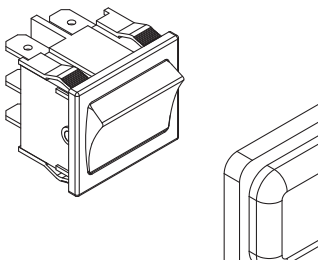
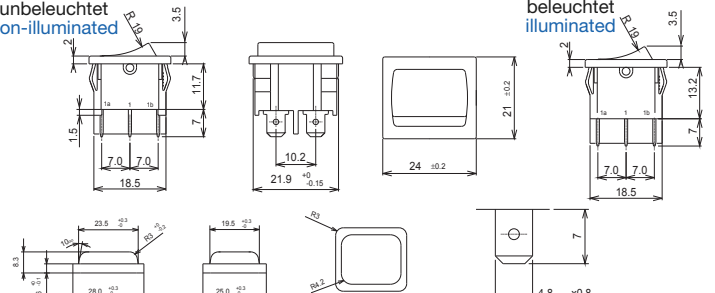

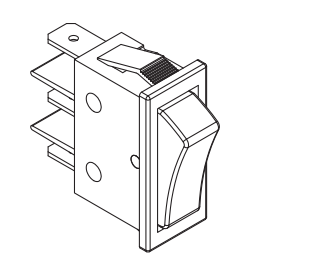
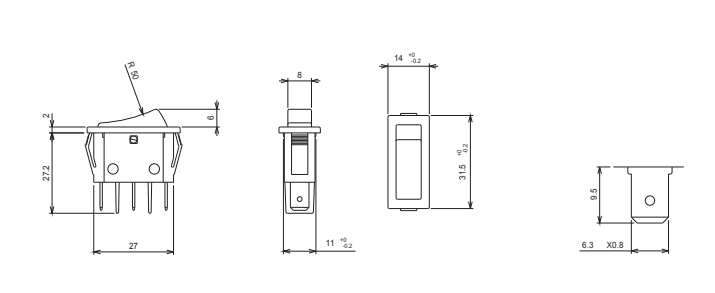
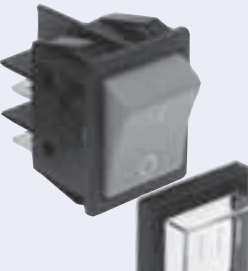
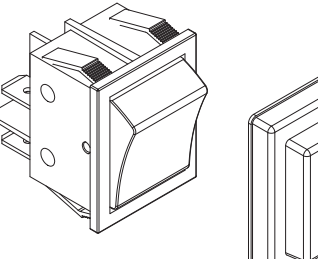
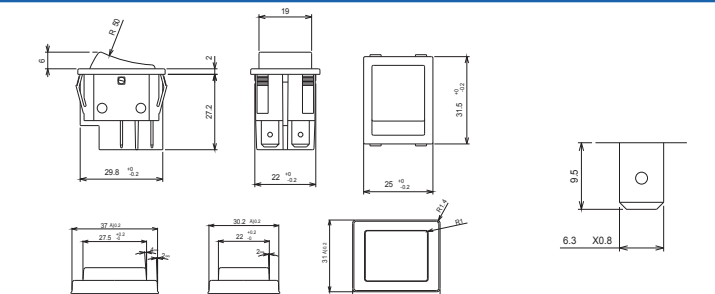


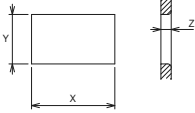
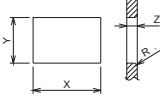
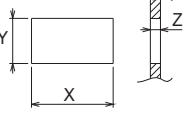


Wippenschalter RSS, RSM, RSH, RSL

Rocker switches in latching action RSS, RSM, RSH, RSL

Ausführungen Models	Aufbau Construction	Abmessungen Dimensions
RSS 1-pol 		
RSS solder-terminals 		
RSS 2-pol 		
RSM 		<p>unbeleuchtet non-illuminated</p> <p>beleuchtet illuminated</p> 
RSH 		
RSL 		

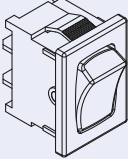
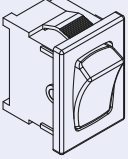
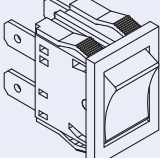
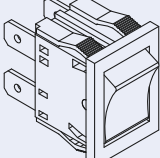
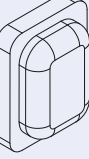
Technische Daten RSS, RSM, RSH, RSL

Technical Data RSS, RSM, RSH, RSL

Einbaumaße Mounting		1. Mechanische Kennwerte / Mechanical data																	
	<table border="1"> <tr><th>Z</th><th>Y</th><th>X</th></tr> <tr><td>0.75-1.25</td><td>13.0 ± 0.1</td><td>19.0 $\begin{smallmatrix} +0.2 \\ 0 \end{smallmatrix}$</td></tr> <tr><td>1.25-2</td><td>13.0 ± 0.1</td><td>19.3 $\begin{smallmatrix} +0.2 \\ 0 \end{smallmatrix}$</td></tr> <tr><td>2-3</td><td>13.0 ± 0.1</td><td>19.6 $\begin{smallmatrix} +0.2 \\ 0 \end{smallmatrix}$</td></tr> </table>	Z	Y	X	0.75-1.25	13.0 ± 0.1	19.0 $\begin{smallmatrix} +0.2 \\ 0 \end{smallmatrix}$	1.25-2	13.0 ± 0.1	19.3 $\begin{smallmatrix} +0.2 \\ 0 \end{smallmatrix}$	2-3	13.0 ± 0.1	19.6 $\begin{smallmatrix} +0.2 \\ 0 \end{smallmatrix}$	Schutzgrad Degree of protection	IP 40				
	Z	Y	X																
	0.75-1.25	13.0 ± 0.1	19.0 $\begin{smallmatrix} +0.2 \\ 0 \end{smallmatrix}$																
1.25-2	13.0 ± 0.1	19.3 $\begin{smallmatrix} +0.2 \\ 0 \end{smallmatrix}$																	
2-3	13.0 ± 0.1	19.6 $\begin{smallmatrix} +0.2 \\ 0 \end{smallmatrix}$																	
Abdeckhaube Cover	IP 65																		
Geräteschutzklasse Class of appliance	II																		
Lebensdauer mechanisch Lifetime mechanical	> 50.000 Betätigungen Operations																		
Einbaumaße Mounting		2. Elektrische Kennwerte / Electrical data																	
	<table border="1"> <tr><th>Z</th><th>Y</th><th>X</th></tr> <tr><td>0.7-1.25</td><td>13.0 ± 0.1</td><td>19.0 $\begin{smallmatrix} +0.2 \\ 0 \end{smallmatrix}$</td></tr> <tr><td>1.25-2</td><td>13.0 ± 0.1</td><td>19.3 $\begin{smallmatrix} +0.2 \\ 0 \end{smallmatrix}$</td></tr> <tr><td>2-3</td><td>13.0 ± 0.1</td><td>19.6 $\begin{smallmatrix} +0.2 \\ 0 \end{smallmatrix}$</td></tr> </table>	Z	Y	X	0.7-1.25	13.0 ± 0.1	19.0 $\begin{smallmatrix} +0.2 \\ 0 \end{smallmatrix}$	1.25-2	13.0 ± 0.1	19.3 $\begin{smallmatrix} +0.2 \\ 0 \end{smallmatrix}$	2-3	13.0 ± 0.1	19.6 $\begin{smallmatrix} +0.2 \\ 0 \end{smallmatrix}$	Schaltleistung max. Switching capacity max.	EN 61058-1	RSS/RSM	RSL/RSH		
	Z	Y	X																
	0.7-1.25	13.0 ± 0.1	19.0 $\begin{smallmatrix} +0.2 \\ 0 \end{smallmatrix}$																
1.25-2	13.0 ± 0.1	19.3 $\begin{smallmatrix} +0.2 \\ 0 \end{smallmatrix}$																	
2-3	13.0 ± 0.1	19.6 $\begin{smallmatrix} +0.2 \\ 0 \end{smallmatrix}$																	
<table border="1"> <tr><th>Z</th><th>Y</th><th>X</th></tr> <tr><td>0.7-1.25</td><td>13.0 ± 0.1</td><td>19.0 $\begin{smallmatrix} +0.2 \\ 0 \end{smallmatrix}$</td></tr> <tr><td>1.25-2</td><td>13.0 ± 0.1</td><td>19.3 $\begin{smallmatrix} +0.2 \\ 0 \end{smallmatrix}$</td></tr> <tr><td>2-3</td><td>13.0 ± 0.1</td><td>19.6 $\begin{smallmatrix} +0.2 \\ 0 \end{smallmatrix}$</td></tr> </table>	Z	Y	X	0.7-1.25	13.0 ± 0.1	19.0 $\begin{smallmatrix} +0.2 \\ 0 \end{smallmatrix}$	1.25-2	13.0 ± 0.1	19.3 $\begin{smallmatrix} +0.2 \\ 0 \end{smallmatrix}$	2-3	13.0 ± 0.1	19.6 $\begin{smallmatrix} +0.2 \\ 0 \end{smallmatrix}$	Schaltleistung max. Switching capacity max.	UL 1054	10(4) A 250 V ~ 6(4) A 250 V ~ 5E4	16(6) A 250 V ~ 10(4) A 250 V ~ 5E4			
Z	Y	X																	
0.7-1.25	13.0 ± 0.1	19.0 $\begin{smallmatrix} +0.2 \\ 0 \end{smallmatrix}$																	
1.25-2	13.0 ± 0.1	19.3 $\begin{smallmatrix} +0.2 \\ 0 \end{smallmatrix}$																	
2-3	13.0 ± 0.1	19.6 $\begin{smallmatrix} +0.2 \\ 0 \end{smallmatrix}$																	
<table border="1"> <tr><th>Z</th><th>Y</th><th>X</th></tr> <tr><td>0.7...1.25</td><td>13.0 ± 0.1</td><td>19.1 ± 0.1</td></tr> <tr><td>1.25...2.0</td><td>13.0 ± 0.1</td><td>19.4 ± 0.1</td></tr> <tr><td>2.0...3.0</td><td>13.0 ± 0.1</td><td>19.7 ± 0.1</td></tr> </table>	Z	Y	X	0.7...1.25	13.0 ± 0.1	19.1 ± 0.1	1.25...2.0	13.0 ± 0.1	19.4 ± 0.1	2.0...3.0	13.0 ± 0.1	19.7 ± 0.1	Umgebungstemperatur max. Ambient-temperature max.	T120 °C / 55 °C (EN 61058-1) T65 °C (UL 1054)					
Z	Y	X																	
0.7...1.25	13.0 ± 0.1	19.1 ± 0.1																	
1.25...2.0	13.0 ± 0.1	19.4 ± 0.1																	
2.0...3.0	13.0 ± 0.1	19.7 ± 0.1																	
<table border="1"> <tr><th>Z</th><th>Y</th><th>X</th></tr> <tr><td>0.7...1.25</td><td>13.0 ± 0.1</td><td>19.1 ± 0.1</td></tr> <tr><td>1.25...2.0</td><td>13.0 ± 0.1</td><td>19.4 ± 0.1</td></tr> <tr><td>2.0...3.0</td><td>13.0 ± 0.1</td><td>19.7 ± 0.1</td></tr> </table>	Z	Y	X	0.7...1.25	13.0 ± 0.1	19.1 ± 0.1	1.25...2.0	13.0 ± 0.1	19.4 ± 0.1	2.0...3.0	13.0 ± 0.1	19.7 ± 0.1	Elektrische Lebensdauer Electrical lifetime	10.000 Zyklen/cycles 50.000 Zyklen/cycles (5E4)					
Z	Y	X																	
0.7...1.25	13.0 ± 0.1	19.1 ± 0.1																	
1.25...2.0	13.0 ± 0.1	19.4 ± 0.1																	
2.0...3.0	13.0 ± 0.1	19.7 ± 0.1																	
<table border="1"> <tr><th>Z</th><th>Y</th><th>X</th></tr> <tr><td>0.75-1.25</td><td>22.0 ± 0.1</td><td>19.0 $\begin{smallmatrix} +0.2 \\ 0 \end{smallmatrix}$</td></tr> <tr><td>1.25-2</td><td>22.0 ± 0.1</td><td>19.3 $\begin{smallmatrix} +0.2 \\ 0 \end{smallmatrix}$</td></tr> <tr><td>2-3</td><td>22.0 ± 0.1</td><td>19.6 $\begin{smallmatrix} +0.2 \\ 0 \end{smallmatrix}$</td></tr> </table>	Z	Y	X	0.75-1.25	22.0 ± 0.1	19.0 $\begin{smallmatrix} +0.2 \\ 0 \end{smallmatrix}$	1.25-2	22.0 ± 0.1	19.3 $\begin{smallmatrix} +0.2 \\ 0 \end{smallmatrix}$	2-3	22.0 ± 0.1	19.6 $\begin{smallmatrix} +0.2 \\ 0 \end{smallmatrix}$	Isolationswiderstand Insulation resistance	> 10 mΩ					
Z	Y	X																	
0.75-1.25	22.0 ± 0.1	19.0 $\begin{smallmatrix} +0.2 \\ 0 \end{smallmatrix}$																	
1.25-2	22.0 ± 0.1	19.3 $\begin{smallmatrix} +0.2 \\ 0 \end{smallmatrix}$																	
2-3	22.0 ± 0.1	19.6 $\begin{smallmatrix} +0.2 \\ 0 \end{smallmatrix}$																	
<table border="1"> <tr><th>Z</th><th>Y</th><th>X</th></tr> <tr><td>0.75-1.25</td><td>22.0 ± 0.1</td><td>19.0 $\begin{smallmatrix} +0.2 \\ 0 \end{smallmatrix}$</td></tr> <tr><td>1.25-2</td><td>22.0 ± 0.1</td><td>19.3 $\begin{smallmatrix} +0.2 \\ 0 \end{smallmatrix}$</td></tr> <tr><td>2-3</td><td>22.0 ± 0.1</td><td>19.6 $\begin{smallmatrix} +0.2 \\ 0 \end{smallmatrix}$</td></tr> </table>	Z	Y	X	0.75-1.25	22.0 ± 0.1	19.0 $\begin{smallmatrix} +0.2 \\ 0 \end{smallmatrix}$	1.25-2	22.0 ± 0.1	19.3 $\begin{smallmatrix} +0.2 \\ 0 \end{smallmatrix}$	2-3	22.0 ± 0.1	19.6 $\begin{smallmatrix} +0.2 \\ 0 \end{smallmatrix}$	Übergangswiderstand Contact resistance	< 50 mΩ					
Z	Y	X																	
0.75-1.25	22.0 ± 0.1	19.0 $\begin{smallmatrix} +0.2 \\ 0 \end{smallmatrix}$																	
1.25-2	22.0 ± 0.1	19.3 $\begin{smallmatrix} +0.2 \\ 0 \end{smallmatrix}$																	
2-3	22.0 ± 0.1	19.6 $\begin{smallmatrix} +0.2 \\ 0 \end{smallmatrix}$																	
<table border="1"> <tr><th>Z</th><th>Y</th><th>X</th></tr> <tr><td>0.75-1.25</td><td>22.0 ± 0.1</td><td>19.0 $\begin{smallmatrix} +0.2 \\ 0 \end{smallmatrix}$</td></tr> <tr><td>1.25-2</td><td>22.0 ± 0.1</td><td>19.3 $\begin{smallmatrix} +0.2 \\ 0 \end{smallmatrix}$</td></tr> <tr><td>2-3</td><td>22.0 ± 0.1</td><td>19.6 $\begin{smallmatrix} +0.2 \\ 0 \end{smallmatrix}$</td></tr> </table>	Z	Y	X	0.75-1.25	22.0 ± 0.1	19.0 $\begin{smallmatrix} +0.2 \\ 0 \end{smallmatrix}$	1.25-2	22.0 ± 0.1	19.3 $\begin{smallmatrix} +0.2 \\ 0 \end{smallmatrix}$	2-3	22.0 ± 0.1	19.6 $\begin{smallmatrix} +0.2 \\ 0 \end{smallmatrix}$	Kontaktöffnungsweite Contact opening	> 3 mm					
Z	Y	X																	
0.75-1.25	22.0 ± 0.1	19.0 $\begin{smallmatrix} +0.2 \\ 0 \end{smallmatrix}$																	
1.25-2	22.0 ± 0.1	19.3 $\begin{smallmatrix} +0.2 \\ 0 \end{smallmatrix}$																	
2-3	22.0 ± 0.1	19.6 $\begin{smallmatrix} +0.2 \\ 0 \end{smallmatrix}$																	
<table border="1"> <tr><th>Z</th><th>Y</th><th>X</th></tr> <tr><td>0.75-1.25</td><td>22.0 ± 0.1</td><td>19.0 $\begin{smallmatrix} +0.2 \\ 0 \end{smallmatrix}$</td></tr> <tr><td>1.25-2</td><td>22.0 ± 0.1</td><td>19.3 $\begin{smallmatrix} +0.2 \\ 0 \end{smallmatrix}$</td></tr> <tr><td>2-3</td><td>22.0 ± 0.1</td><td>19.6 $\begin{smallmatrix} +0.2 \\ 0 \end{smallmatrix}$</td></tr> </table>	Z	Y	X	0.75-1.25	22.0 ± 0.1	19.0 $\begin{smallmatrix} +0.2 \\ 0 \end{smallmatrix}$	1.25-2	22.0 ± 0.1	19.3 $\begin{smallmatrix} +0.2 \\ 0 \end{smallmatrix}$	2-3	22.0 ± 0.1	19.6 $\begin{smallmatrix} +0.2 \\ 0 \end{smallmatrix}$	Kriechstromfestigkeit Creeping current resistance	PTI 250					
Z	Y	X																	
0.75-1.25	22.0 ± 0.1	19.0 $\begin{smallmatrix} +0.2 \\ 0 \end{smallmatrix}$																	
1.25-2	22.0 ± 0.1	19.3 $\begin{smallmatrix} +0.2 \\ 0 \end{smallmatrix}$																	
2-3	22.0 ± 0.1	19.6 $\begin{smallmatrix} +0.2 \\ 0 \end{smallmatrix}$																	
Einbaumaße Mounting		3. Sonstige Kennwerte / Other data																	
	<table border="1"> <tr><th>Z</th><th>Y</th><th>X</th></tr> <tr><td>0.75-1.25</td><td>11.0 $\begin{smallmatrix} +0.2 \\ 0 \end{smallmatrix}$</td><td>30.0 $\begin{smallmatrix} 0 \\ -0.1 \end{smallmatrix}$</td></tr> <tr><td>1.25-2</td><td>11.0 $\begin{smallmatrix} +0.2 \\ 0 \end{smallmatrix}$</td><td>30.2 $\begin{smallmatrix} 0 \\ -0.1 \end{smallmatrix}$</td></tr> <tr><td>2-3</td><td>11.0 $\begin{smallmatrix} +0.2 \\ 0 \end{smallmatrix}$</td><td>30.6 $\begin{smallmatrix} 0 \\ -0.2 \end{smallmatrix}$</td></tr> <tr><td>3-4</td><td>11.0 $\begin{smallmatrix} +0.2 \\ 0 \end{smallmatrix}$</td><td>30.8 $\begin{smallmatrix} 0 \\ -0.2 \end{smallmatrix}$</td></tr> </table>	Z	Y	X	0.75-1.25	11.0 $\begin{smallmatrix} +0.2 \\ 0 \end{smallmatrix}$	30.0 $\begin{smallmatrix} 0 \\ -0.1 \end{smallmatrix}$	1.25-2	11.0 $\begin{smallmatrix} +0.2 \\ 0 \end{smallmatrix}$	30.2 $\begin{smallmatrix} 0 \\ -0.1 \end{smallmatrix}$	2-3	11.0 $\begin{smallmatrix} +0.2 \\ 0 \end{smallmatrix}$	30.6 $\begin{smallmatrix} 0 \\ -0.2 \end{smallmatrix}$	3-4	11.0 $\begin{smallmatrix} +0.2 \\ 0 \end{smallmatrix}$	30.8 $\begin{smallmatrix} 0 \\ -0.2 \end{smallmatrix}$	Entflammbarkeit Flamability rating	UL 94 V-2	
	Z	Y	X																
	0.75-1.25	11.0 $\begin{smallmatrix} +0.2 \\ 0 \end{smallmatrix}$	30.0 $\begin{smallmatrix} 0 \\ -0.1 \end{smallmatrix}$																
1.25-2	11.0 $\begin{smallmatrix} +0.2 \\ 0 \end{smallmatrix}$	30.2 $\begin{smallmatrix} 0 \\ -0.1 \end{smallmatrix}$																	
2-3	11.0 $\begin{smallmatrix} +0.2 \\ 0 \end{smallmatrix}$	30.6 $\begin{smallmatrix} 0 \\ -0.2 \end{smallmatrix}$																	
3-4	11.0 $\begin{smallmatrix} +0.2 \\ 0 \end{smallmatrix}$	30.8 $\begin{smallmatrix} 0 \\ -0.2 \end{smallmatrix}$																	
<table border="1"> <tr><th>Z</th><th>Y</th><th>X</th></tr> <tr><td>0.75-1.25</td><td>11.0 $\begin{smallmatrix} +0.2 \\ 0 \end{smallmatrix}$</td><td>30.0 $\begin{smallmatrix} 0 \\ -0.1 \end{smallmatrix}$</td></tr> <tr><td>1.25-2</td><td>11.0 $\begin{smallmatrix} +0.2 \\ 0 \end{smallmatrix}$</td><td>30.2 $\begin{smallmatrix} 0 \\ -0.1 \end{smallmatrix}$</td></tr> <tr><td>2-3</td><td>11.0 $\begin{smallmatrix} +0.2 \\ 0 \end{smallmatrix}$</td><td>30.6 $\begin{smallmatrix} 0 \\ -0.2 \end{smallmatrix}$</td></tr> <tr><td>3-4</td><td>11.0 $\begin{smallmatrix} +0.2 \\ 0 \end{smallmatrix}$</td><td>30.8 $\begin{smallmatrix} 0 \\ -0.2 \end{smallmatrix}$</td></tr> </table>	Z	Y	X	0.75-1.25	11.0 $\begin{smallmatrix} +0.2 \\ 0 \end{smallmatrix}$	30.0 $\begin{smallmatrix} 0 \\ -0.1 \end{smallmatrix}$	1.25-2	11.0 $\begin{smallmatrix} +0.2 \\ 0 \end{smallmatrix}$	30.2 $\begin{smallmatrix} 0 \\ -0.1 \end{smallmatrix}$	2-3	11.0 $\begin{smallmatrix} +0.2 \\ 0 \end{smallmatrix}$	30.6 $\begin{smallmatrix} 0 \\ -0.2 \end{smallmatrix}$	3-4	11.0 $\begin{smallmatrix} +0.2 \\ 0 \end{smallmatrix}$	30.8 $\begin{smallmatrix} 0 \\ -0.2 \end{smallmatrix}$	Normen Standards	IEC/EN 61058-1 UL 1054		
Z	Y	X																	
0.75-1.25	11.0 $\begin{smallmatrix} +0.2 \\ 0 \end{smallmatrix}$	30.0 $\begin{smallmatrix} 0 \\ -0.1 \end{smallmatrix}$																	
1.25-2	11.0 $\begin{smallmatrix} +0.2 \\ 0 \end{smallmatrix}$	30.2 $\begin{smallmatrix} 0 \\ -0.1 \end{smallmatrix}$																	
2-3	11.0 $\begin{smallmatrix} +0.2 \\ 0 \end{smallmatrix}$	30.6 $\begin{smallmatrix} 0 \\ -0.2 \end{smallmatrix}$																	
3-4	11.0 $\begin{smallmatrix} +0.2 \\ 0 \end{smallmatrix}$	30.8 $\begin{smallmatrix} 0 \\ -0.2 \end{smallmatrix}$																	
<table border="1"> <tr><th>Z</th><th>Y</th><th>X</th></tr> <tr><td>0.75-1.25</td><td>11.0 $\begin{smallmatrix} +0.2 \\ 0 \end{smallmatrix}$</td><td>30.0 $\begin{smallmatrix} 0 \\ -0.1 \end{smallmatrix}$</td></tr> <tr><td>1.25-2</td><td>11.0 $\begin{smallmatrix} +0.2 \\ 0 \end{smallmatrix}$</td><td>30.2 $\begin{smallmatrix} 0 \\ -0.1 \end{smallmatrix}$</td></tr> <tr><td>2-3</td><td>11.0 $\begin{smallmatrix} +0.2 \\ 0 \end{smallmatrix}$</td><td>30.6 $\begin{smallmatrix} 0 \\ -0.2 \end{smallmatrix}$</td></tr> <tr><td>3-4</td><td>11.0 $\begin{smallmatrix} +0.2 \\ 0 \end{smallmatrix}$</td><td>30.8 $\begin{smallmatrix} 0 \\ -0.2 \end{smallmatrix}$</td></tr> </table>	Z	Y	X	0.75-1.25	11.0 $\begin{smallmatrix} +0.2 \\ 0 \end{smallmatrix}$	30.0 $\begin{smallmatrix} 0 \\ -0.1 \end{smallmatrix}$	1.25-2	11.0 $\begin{smallmatrix} +0.2 \\ 0 \end{smallmatrix}$	30.2 $\begin{smallmatrix} 0 \\ -0.1 \end{smallmatrix}$	2-3	11.0 $\begin{smallmatrix} +0.2 \\ 0 \end{smallmatrix}$	30.6 $\begin{smallmatrix} 0 \\ -0.2 \end{smallmatrix}$	3-4	11.0 $\begin{smallmatrix} +0.2 \\ 0 \end{smallmatrix}$	30.8 $\begin{smallmatrix} 0 \\ -0.2 \end{smallmatrix}$	Prüfzeichen Approvals		RSS 2-polig: 1054	5788
Z	Y	X																	
0.75-1.25	11.0 $\begin{smallmatrix} +0.2 \\ 0 \end{smallmatrix}$	30.0 $\begin{smallmatrix} 0 \\ -0.1 \end{smallmatrix}$																	
1.25-2	11.0 $\begin{smallmatrix} +0.2 \\ 0 \end{smallmatrix}$	30.2 $\begin{smallmatrix} 0 \\ -0.1 \end{smallmatrix}$																	
2-3	11.0 $\begin{smallmatrix} +0.2 \\ 0 \end{smallmatrix}$	30.6 $\begin{smallmatrix} 0 \\ -0.2 \end{smallmatrix}$																	
3-4	11.0 $\begin{smallmatrix} +0.2 \\ 0 \end{smallmatrix}$	30.8 $\begin{smallmatrix} 0 \\ -0.2 \end{smallmatrix}$																	
<table border="1"> <tr><th>Z</th><th>Y</th><th>X</th></tr> <tr><td>0.75-1.25</td><td>11.0 $\begin{smallmatrix} +0.2 \\ 0 \end{smallmatrix}$</td><td>30.0 $\begin{smallmatrix} 0 \\ -0.1 \end{smallmatrix}$</td></tr> <tr><td>1.25-2</td><td>11.0 $\begin{smallmatrix} +0.2 \\ 0 \end{smallmatrix}$</td><td>30.2 $\begin{smallmatrix} 0 \\ -0.1 \end{smallmatrix}$</td></tr> <tr><td>2-3</td><td>11.0 $\begin{smallmatrix} +0.2 \\ 0 \end{smallmatrix}$</td><td>30.6 $\begin{smallmatrix} 0 \\ -0.2 \end{smallmatrix}$</td></tr> <tr><td>3-4</td><td>11.0 $\begin{smallmatrix} +0.2 \\ 0 \end{smallmatrix}$</td><td>30.8 $\begin{smallmatrix} 0 \\ -0.2 \end{smallmatrix}$</td></tr> </table>	Z	Y	X	0.75-1.25	11.0 $\begin{smallmatrix} +0.2 \\ 0 \end{smallmatrix}$	30.0 $\begin{smallmatrix} 0 \\ -0.1 \end{smallmatrix}$	1.25-2	11.0 $\begin{smallmatrix} +0.2 \\ 0 \end{smallmatrix}$	30.2 $\begin{smallmatrix} 0 \\ -0.1 \end{smallmatrix}$	2-3	11.0 $\begin{smallmatrix} +0.2 \\ 0 \end{smallmatrix}$	30.6 $\begin{smallmatrix} 0 \\ -0.2 \end{smallmatrix}$	3-4	11.0 $\begin{smallmatrix} +0.2 \\ 0 \end{smallmatrix}$	30.8 $\begin{smallmatrix} 0 \\ -0.2 \end{smallmatrix}$			RSS 1-polig: 5788	
Z	Y	X																	
0.75-1.25	11.0 $\begin{smallmatrix} +0.2 \\ 0 \end{smallmatrix}$	30.0 $\begin{smallmatrix} 0 \\ -0.1 \end{smallmatrix}$																	
1.25-2	11.0 $\begin{smallmatrix} +0.2 \\ 0 \end{smallmatrix}$	30.2 $\begin{smallmatrix} 0 \\ -0.1 \end{smallmatrix}$																	
2-3	11.0 $\begin{smallmatrix} +0.2 \\ 0 \end{smallmatrix}$	30.6 $\begin{smallmatrix} 0 \\ -0.2 \end{smallmatrix}$																	
3-4	11.0 $\begin{smallmatrix} +0.2 \\ 0 \end{smallmatrix}$	30.8 $\begin{smallmatrix} 0 \\ -0.2 \end{smallmatrix}$																	
<table border="1"> <tr><th>Z</th><th>Y</th><th>X</th></tr> <tr><td>0.75-1.25</td><td>22.0 $\begin{smallmatrix} +0.2 \\ 0 \end{smallmatrix}$</td><td>30.0 $\begin{smallmatrix} 0 \\ -0.1 \end{smallmatrix}$</td></tr> <tr><td>1.25-2</td><td>22.0 $\begin{smallmatrix} +0.2 \\ 0 \end{smallmatrix}$</td><td>30.2 $\begin{smallmatrix} 0 \\ -0.1 \end{smallmatrix}$</td></tr> <tr><td>2-3</td><td>22.0 $\begin{smallmatrix} +0.2 \\ 0 \end{smallmatrix}$</td><td>30.6 $\begin{smallmatrix} 0 \\ -0.2 \end{smallmatrix}$</td></tr> <tr><td>3-4</td><td>22.0 $\begin{smallmatrix} +0.2 \\ 0 \end{smallmatrix}$</td><td>30.8 $\begin{smallmatrix} 0 \\ -0.2 \end{smallmatrix}$</td></tr> </table>	Z	Y	X	0.75-1.25	22.0 $\begin{smallmatrix} +0.2 \\ 0 \end{smallmatrix}$	30.0 $\begin{smallmatrix} 0 \\ -0.1 \end{smallmatrix}$	1.25-2	22.0 $\begin{smallmatrix} +0.2 \\ 0 \end{smallmatrix}$	30.2 $\begin{smallmatrix} 0 \\ -0.1 \end{smallmatrix}$	2-3	22.0 $\begin{smallmatrix} +0.2 \\ 0 \end{smallmatrix}$	30.6 $\begin{smallmatrix} 0 \\ -0.2 \end{smallmatrix}$	3-4	22.0 $\begin{smallmatrix} +0.2 \\ 0 \end{smallmatrix}$	30.8 $\begin{smallmatrix} 0 \\ -0.2 \end{smallmatrix}$			RSS 2-polig: E 41700	E 98133
Z	Y	X																	
0.75-1.25	22.0 $\begin{smallmatrix} +0.2 \\ 0 \end{smallmatrix}$	30.0 $\begin{smallmatrix} 0 \\ -0.1 \end{smallmatrix}$																	
1.25-2	22.0 $\begin{smallmatrix} +0.2 \\ 0 \end{smallmatrix}$	30.2 $\begin{smallmatrix} 0 \\ -0.1 \end{smallmatrix}$																	
2-3	22.0 $\begin{smallmatrix} +0.2 \\ 0 \end{smallmatrix}$	30.6 $\begin{smallmatrix} 0 \\ -0.2 \end{smallmatrix}$																	
3-4	22.0 $\begin{smallmatrix} +0.2 \\ 0 \end{smallmatrix}$	30.8 $\begin{smallmatrix} 0 \\ -0.2 \end{smallmatrix}$																	
<table border="1"> <tr><th>Z</th><th>Y</th><th>X</th></tr> <tr><td>0.75-1.25</td><td>22.0 $\begin{smallmatrix} +0.2 \\ 0 \end{smallmatrix}$</td><td>30.0 $\begin{smallmatrix} 0 \\ -0.1 \end{smallmatrix}$</td></tr> <tr><td>1.25-2</td><td>22.0 $\begin{smallmatrix} +0.2 \\ 0 \end{smallmatrix}$</td><td>30.2 $\begin{smallmatrix} 0 \\ -0.1 \end{smallmatrix}$</td></tr> <tr><td>2-3</td><td>22.0 $\begin{smallmatrix} +0.2 \\ 0 \end{smallmatrix}$</td><td>30.6 $\begin{smallmatrix} 0 \\ -0.2 \end{smallmatrix}$</td></tr> <tr><td>3-4</td><td>22.0 $\begin{smallmatrix} +0.2 \\ 0 \end{smallmatrix}$</td><td>30.8 $\begin{smallmatrix} 0 \\ -0.2 \end{smallmatrix}$</td></tr> </table>	Z	Y	X	0.75-1.25	22.0 $\begin{smallmatrix} +0.2 \\ 0 \end{smallmatrix}$	30.0 $\begin{smallmatrix} 0 \\ -0.1 \end{smallmatrix}$	1.25-2	22.0 $\begin{smallmatrix} +0.2 \\ 0 \end{smallmatrix}$	30.2 $\begin{smallmatrix} 0 \\ -0.1 \end{smallmatrix}$	2-3	22.0 $\begin{smallmatrix} +0.2 \\ 0 \end{smallmatrix}$	30.6 $\begin{smallmatrix} 0 \\ -0.2 \end{smallmatrix}$	3-4	22.0 $\begin{smallmatrix} +0.2 \\ 0 \end{smallmatrix}$	30.8 $\begin{smallmatrix} 0 \\ -0.2 \end{smallmatrix}$			RSS 1-polig: E 98133	
Z	Y	X																	
0.75-1.25	22.0 $\begin{smallmatrix} +0.2 \\ 0 \end{smallmatrix}$	30.0 $\begin{smallmatrix} 0 \\ -0.1 \end{smallmatrix}$																	
1.25-2	22.0 $\begin{smallmatrix} +0.2 \\ 0 \end{smallmatrix}$	30.2 $\begin{smallmatrix} 0 \\ -0.1 \end{smallmatrix}$																	
2-3	22.0 $\begin{smallmatrix} +0.2 \\ 0 \end{smallmatrix}$	30.6 $\begin{smallmatrix} 0 \\ -0.2 \end{smallmatrix}$																	
3-4	22.0 $\begin{smallmatrix} +0.2 \\ 0 \end{smallmatrix}$	30.8 $\begin{smallmatrix} 0 \\ -0.2 \end{smallmatrix}$																	
<table border="1"> <tr><th>Z</th><th>Y</th><th>X</th></tr> <tr><td>0.75-1.25</td><td>22.0 $\begin{smallmatrix} +0.2 \\ 0 \end{smallmatrix}$</td><td>30.0 $\begin{smallmatrix} 0 \\ -0.1 \end{smallmatrix}$</td></tr> <tr><td>1.25-2</td><td>22.0 $\begin{smallmatrix} +0.2 \\ 0 \end{smallmatrix}$</td><td>30.2 $\begin{smallmatrix} 0 \\ -0.1 \end{smallmatrix}$</td></tr> <tr><td>2-3</td><td>22.0 $\begin{smallmatrix} +0.2 \\ 0 \end{smallmatrix}$</td><td>30.6 $\begin{smallmatrix} 0 \\ -0.2 \end{smallmatrix}$</td></tr> <tr><td>3-4</td><td>22.0 $\begin{smallmatrix} +0.2 \\ 0 \end{smallmatrix}$</td><td>30.8 $\begin{smallmatrix} 0 \\ -0.2 \end{smallmatrix}$</td></tr> </table>	Z	Y	X	0.75-1.25	22.0 $\begin{smallmatrix} +0.2 \\ 0 \end{smallmatrix}$	30.0 $\begin{smallmatrix} 0 \\ -0.1 \end{smallmatrix}$	1.25-2	22.0 $\begin{smallmatrix} +0.2 \\ 0 \end{smallmatrix}$	30.2 $\begin{smallmatrix} 0 \\ -0.1 \end{smallmatrix}$	2-3	22.0 $\begin{smallmatrix} +0.2 \\ 0 \end{smallmatrix}$	30.6 $\begin{smallmatrix} 0 \\ -0.2 \end{smallmatrix}$	3-4	22.0 $\begin{smallmatrix} +0.2 \\ 0 \end{smallmatrix}$	30.8 $\begin{smallmatrix} 0 \\ -0.2 \end{smallmatrix}$			RSM: 5788	
Z	Y	X																	
0.75-1.25	22.0 $\begin{smallmatrix} +0.2 \\ 0 \end{smallmatrix}$	30.0 $\begin{smallmatrix} 0 \\ -0.1 \end{smallmatrix}$																	
1.25-2	22.0 $\begin{smallmatrix} +0.2 \\ 0 \end{smallmatrix}$	30.2 $\begin{smallmatrix} 0 \\ -0.1 \end{smallmatrix}$																	
2-3	22.0 $\begin{smallmatrix} +0.2 \\ 0 \end{smallmatrix}$	30.6 $\begin{smallmatrix} 0 \\ -0.2 \end{smallmatrix}$																	
3-4	22.0 $\begin{smallmatrix} +0.2 \\ 0 \end{smallmatrix}$	30.8 $\begin{smallmatrix} 0 \\ -0.2 \end{smallmatrix}$																	
				RSM: 5788															
				RSM: E 98133															
				RSM: E 98133															
Einbaumaße Mounting		5. Verpackung / Packaging																	
		Lose geschüttet / loose in boxes																	

Wippenschalter RSS

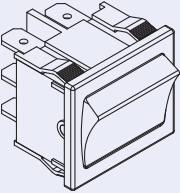
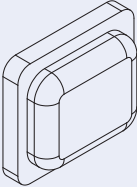
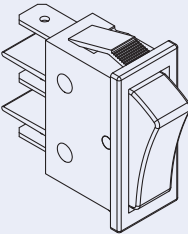
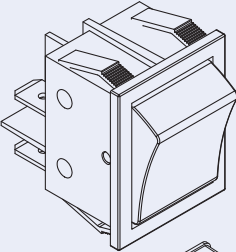
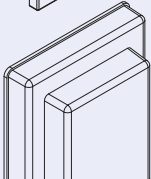
Rocker switches in latching action RSS

Ausführungen Models RSS	Varianten Variations	Artikelnummer Part Number
Steckanschlüsse Quick-connect terminals 4,8 mm x 0,8 mm 	Polzahl 1, unbeleuchtet 1 pole, non-illuminated	
	Betätigerfarbe Actuator color	schwarz black 1301.9206 rot red 1301.9208 grün green 1301.9238
	Abdeckhaube transparent Cover transparent	IP 65 1301.9209
Lötanschlüsse Solder-terminals 1,7 mm x 0,8 mm 	Polzahl 1, unbeleuchtet 1 pole, non-illuminated	
	Betätigerfarbe Actuator color	schwarz black 1301.9205 rot red 1301.9207 grün green 1301.9239
	Abdeckhaube transparent Cover transparent	IP 65 1301.9209
Steckanschlüsse Quick-connect terminals 4,8 mm x 0,8 mm 	Polzahl 2, unbeleuchtet 2 pole, non-illuminated	
	Betätigerfarbe Actuator color	schwarz black 1301.9213 rot red 1301.9203 grün green 1301.9235
	Polzahl 2, beleuchtet 2 pole, illuminated	rot red 1301.9204 grün green 1301.9211
 	Abdeckhaube transparent Cover transparent	IP 65 1301.9209

Alle Typen sind standardmäßig zur Anzeige des Schaltzustandes beschriftet.
All types have a standard lettering to indicate the switching position.

Wippenschalter RSM, RSH, RSL

Rocker switches in latching action RSM, RSH, RSL

Ausführungen Models RSM	Varianten Variations	Artikelnummer Part Number
Steckanschlüsse Quick-connect terminals 4,8 mm x 0,8 mm  	Polzahl 2, unbeleuchtet 2 pole, non-illuminated	
	Betätigerfarbe Actuator color	schwarz black 1301.9202
		rot red 1301.9237
		grün green 1301.9236
	Polzahl 2, beleuchtet 2 pole, illuminated	
	Betätigerfarbe Actuator color	rot red 1301.9201
	grün green 1301.9212	
	Abdeckhaube transparent Cover transparent	IP 65 1301.9210
Steckanschlüsse Quick-connect terminals 6,3 mm x 0,8 mm 	Polzahl 1, unbeleuchtet 1 pole, non-illuminated	
	Betätigerfarbe Actuator color	schwarz black 1301.9230
		rot red 1301.9231
		grün green 1301.9232
	Polzahl 1, beleuchtet 1 pole, illuminated	
	Betätigerfarbe Actuator color	rot red 1301.9234
	grün green 1301.9233	
Steckanschlüsse Quick-connect terminals 6,3 mm x 0,8 mm  	Polzahl 2, unbeleuchtet 2 pole, non-illuminated	
	Betätigerfarbe Actuator color	schwarz black 1301.9222
		rot red 1301.9221
		grün green 1301.9229
	Polzahl 2, beleuchtet 2 pole, illuminated	
	Betätigerfarbe Actuator color	rot red 1301.9224
	grün green 1301.9215	
	Abdeckhaube transparent Cover transparent	IP 65 1301.9214

Alle Typen sind standardmäßig zur Anzeige des Schaltzustandes beschriftet.
All types have a standard lettering to indicate the switching position.

MERSCHJOHANN
Produkte für eine dauerhafte Verbindung

Phone +49 (0) 52 41 90 46 20 Fax +49 (0) 52 41 90 46 22
E-Mail: sales@merschjohann.com www.merschjohann.com